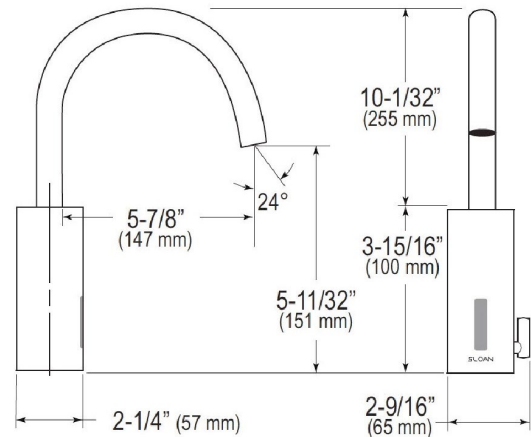


GENEVA COMMERCIAL HANDS FREE ROSE GOLD DECK MOUNT SENSOR FAUCET SPECS



SPECS:

- Flow Rate: 0.35 gpm (1 Lpm)
(0.35GPM)
- Spray Type: Multi-Laminar (MLM)
- Sensor Type: Infrared (IR)
- Mounting Type: Single Hole ()
- Power Supply: Battery (BAT)
- Temperature Mixer: Integrated Side Mixer
(ISM)
- Finish: Polished Chrome (CP)
- Factory Default Timeout: 30s
- Factory Default GPC: 0.175
- Double Infrared Sensors with Automatic Setting Feature and Microprocessor
- Lo ■ low Battery Indicator

